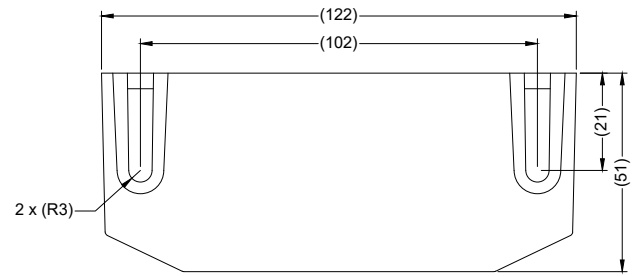


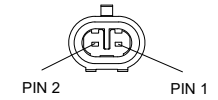
Revision Notes				
R1 -				
APA: -	Drawn:-	Checked:-	Approved:-	Date: -



**SPECIFICATION**

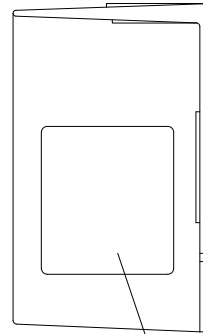
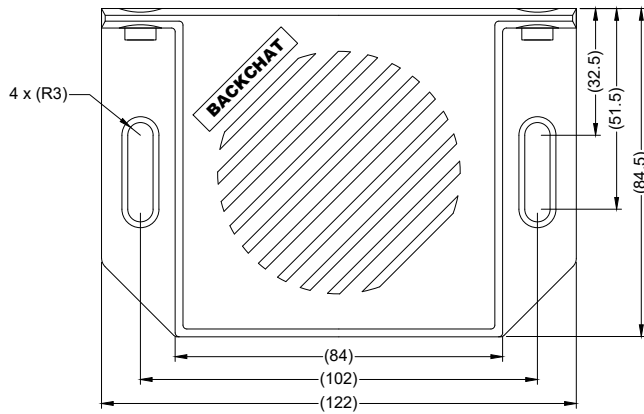
RATED VOLTAGE: 12 AND 24 VOLTS DIRECT CURRENT (WORKING VOLTAGE RANGE 10 THRU 30 VOLTS)  
 RATED CURRENT: 0.5 AMPERES OR LESS  
 SOUND PRESSURE: 90±4 DECIBELS AT TEST VOLTAGE OF 14 AND 24 VOLTS  
 CABLE THICKNESS: ALL CABLES 24/0.2MM  
 ACTUAL MESSAGE: ATTENCIONE LE VEHICULE TOURNE (BBS)  
 MESSAGE LIBRARY NUMBER: M1793  
 VOICE/ACCENT: FEMALE  
 LANGUAGE: FRENCH

**VIEW A**



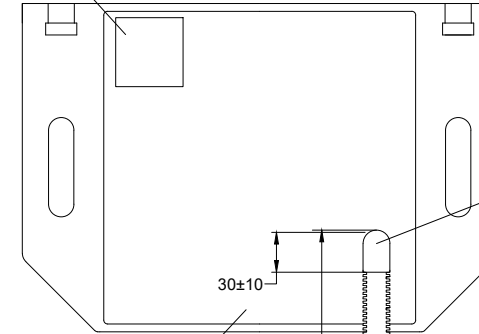
**2 PIN MALE MATING FACE**

PIN #	WIRE COLOUR	DESCRIPTION
1	RED	MESSAGE
2	BLACK	GROUND



PRODUCT LABEL LOCATION/  
SERIAL NUMBER

MANUFACTURE LABEL LOCATION



HEATSHRINK (DISTANCE FROM HEATSHRINK TO POTTING 0 +5-0MM)

30±10

EPOXY SEALED

AMP INTERFACE  
PN: CI08-AS2

TE CONNECTIVITY AMP SUPERSEAL SERIES  
HOUSING PN: AMP 282104-1  
TERMINAL PN: AMP 282109-1  
SEALS PN: 281934-2

**CHANGES FROM BASE PRODUCT BC-01(B) M1793 (0079A) TO BC-01(CO-AMP) (6534)**

**CHANGE:**

1. CONDUIT ADDED
  2. AMP SUPERSEAL CONNECTOR ADDED TO WIRES
  3. BC-01 PD-LBL REPLACED WITH BC-01(CO-AMP) PD-LBL
  4. BC-01 GB-LBL REPLACED WITH BC-01(CO-AMP) GB-LBL
- OPERATION:**
1. SAME AS BASE PRODUCT.

NON-SPLIT CONDUIT

450±15

(60)

- NOTES:**
1. MATERIAL: ABS PLASTIC - ULTRA VIOLET STABILIZED
  2. FINISH: BLACK
  3. 2 X M6 X25 BOLTS, 2 X M6 FLAT WASHER & 2 X M6 NUTS ARE SUPPLIED IN A PRESS SEAL BAG IN THE BOX.
  4. FOR PRODUCT LABEL AND PACKAGING DETAILS REFER TO MASTER BOM.
  5. POWER & MESSAGE CABLE LENGTHS ARE MEASURED FROM CABLE ENTRY POINT ON HOUSING.
  6. CONDUIT TO BE SECURED AT HOUSING END USING HEATSHRINK AND TO FIT AS CLOSE TO EPOXY SEAL AS POSSIBLE
  7. ANY CUSTOMER MODIFICATION OF THIS PRODUCT CAUSING SUBSEQUENT FAILURE IS NOT A LIABILITY OF BRIGADE ELECTRONICS PLC.

**PROPRIETARY NOTICE**

THIS DESIGN AND TECHNICAL INFORMATION APPEARING ON THIS DRAWING IS THE PROPERTY OF BRIGADE ELECTRONICS, AND IS DISCLOSED IN CONFIDENCE. IT IS NOT TO BE COPIED, REPRODUCED, REVEALED TO OR EXPROPRIATED BY OTHERS, EITHER IN WHOLE OR IN PART WITHOUT THE EXPRESS WRITTEN CONSENT OF BRIGADE ELECTRONICS.

Customer Approval  
F. TRIPOT (23/06/21)

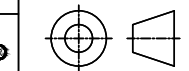
Assembly Pl Approval  
T. DEAN (13/05/21)

Approved by  
B. CHILDS

Checked by  
J. TYRRELL

Drawn by  
A. FOSTER

Angle of Projection



Third Angle

Units  
mm

Scale  
N/A

Released  
23/06/21

Status  
RELEASED

BC-01(CO-AMP)

Part No  
6534

BE-004553-00-21

**BRIGADE**